

# KJLC-RV Series

## Rotary Vane Vacuum Pumps



**Kurt J. Lesker**<sup>®</sup>  
Company

**VACUUM MART**<sup>™</sup>  
DIVISION

### Features

---

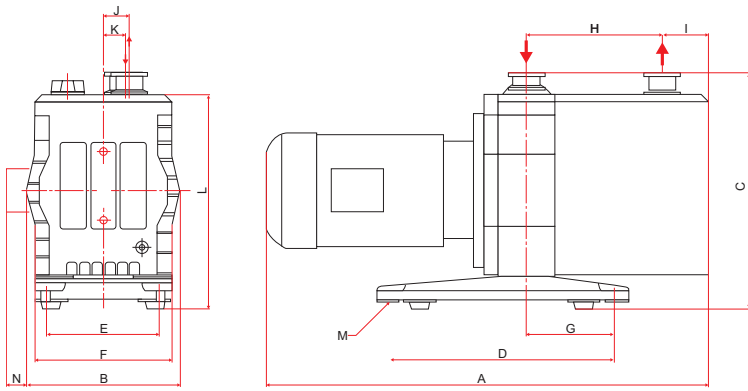
- Exceptional ultimate pressure and pumping speed
- Anti-suckback mechanism prevents oil from backflowing in an event of accidental shutdown, power failure, etc.
- Quiet operation for laboratory applications
- Pressurized oil circuit assures constant lubrication regardless of the inlet pressure
- Gas ballast valve helps reduce the amount of condensable that form in the pump, extending its service life
- Modular internal design simplifies servicing the pump
- CE marked

### Applications

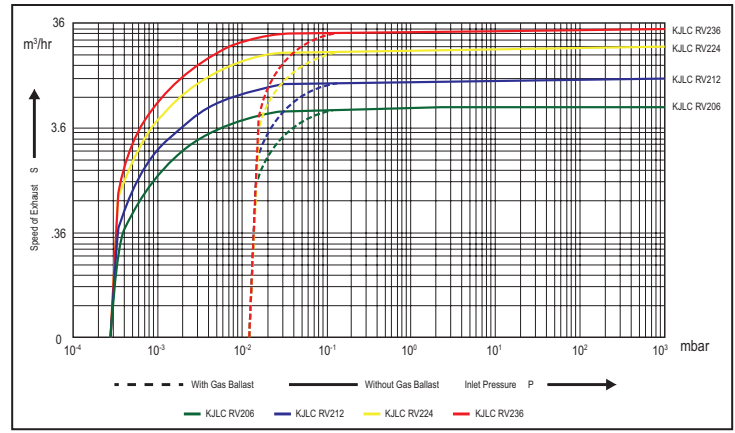
---

- Research and development
- Backing for boosters, diffusion and turbo pumps
- Freeze drying
- Vacuum coating
- Gas handling
- Vacuum drying / degassing
- HVAC servicing and manufacturing
- Leak detection

[www.lesker.com](http://www.lesker.com)



Dimensions Approximate



Pump Model	A	B	C	D	E	F	G	H	I	J	K	L	M	N
KJLC-RV206	470 (18.50)	165 (6.50)	252 (9.92)	240 (9.45)	120 (4.72)	146 (5.75)	94 (3.70)	120 (4.72)	50 (1.97)	24 (0.94)	28 (1.10)	229 (9.02)	Ø9	53 (2.09)
KJLC-RV212	495 (19.50)	165 (6.50)	252 (9.92)	240 (9.45)	120 (4.72)	146 (5.75)	94 (3.70)	145 (5.71)	50 (1.97)	24 (0.94)	28 (1.10)	229 (9.02)	Ø9	53 (2.09)
KJLC-RV224	535 (21.06)	205 (8.07)	288 (11.34)	310 (12.20)	140 (5.51)	180 (7.09)	147 (5.79)	156 (6.14)	75 (2.95)	40 (1.57)	34 (1.34)	262 (10.31)	Ø12	48 (1.89)
KJLC-RV236	565 (22.24)	205 (8.07)	288 (11.34)	310 (12.20)	140 (5.51)	180 (7.09)	147 (5.79)	186 (7.32)	75 (2.95)	40 (1.57)	34 (1.34)	262 (10.31)	Ø12	48 (1.89)

mm (in)

## Specifications

Features	Units	KJLC-RV206	KJLC-RV212	KJLC-RV224	KJLC-RV236
Pumping Speed 50HZ	m <sup>3</sup> /hr	5.4	10.8	21.6	32.4
Pumping Speed 60HZ	(ft <sup>3</sup> /min)	3.8	7.6	15.3	22.9
Ultimate Partial Pressure (without gas ballast)	mbar torr	4 x 10 <sup>-4</sup> 3 x 10 <sup>-4</sup>	4 x 10 <sup>-4</sup> 3 x 10 <sup>-4</sup>	4 x 10 <sup>-4</sup> 3 x 10 <sup>-4</sup>	4 x 10 <sup>-4</sup> 3 x 10 <sup>-4</sup>
Ultimate Partial Pressure (with gas ballast)	mbar torr	1.3 x 10 <sup>-2</sup> 9.75 x 10 <sup>-3</sup>	1.3 x 10 <sup>-2</sup> 9.75 x 10 <sup>-3</sup>	1.3 x 10 <sup>-2</sup> 9.75 x 10 <sup>-3</sup>	1.3 x 10 <sup>-2</sup> 9.75 x 10 <sup>-3</sup>
Water Vapor Tolerance	mbar torr	50 37.5	50 37.5	33 24.75	33 37.5
Oil Capacity	liters (qt)	1.3 (1.4)	1.1 (1.2)	1.4 (1.5)	1.8 (1.9)
Inlet/Exhaust Ports	DN	KF25	KF25	KF25	KF25
Motor Power (Single Phase)	kW (hp)	0.55 (0.74)	0.55 (0.74)	0.75 (1)	1.1 (1.48)
Rotational Speed	RPM 50hz (60hz)	1420 (1710)	1420 (1710)	1420 (1710)	1420 (1710)
Noise Level	dB(A)	<68	<68	<68	<68
Weight	kg (lbs)	26 (57)	29 (64)	37 (81)	39 (86)

Kurt J. Lesker Company (KJLC®) specifications and/or test data may not be copied, reproduced or referenced without express written permission of KJLC.

**Kurt J. Lesker**® Company Enabling Technology for a Better World | [www.lesker.com](http://www.lesker.com)

Kurt J. Lesker Company  
United States - salesus@lesker.com  
412.387.9200  
800.245.1656

Kurt J. Lesker Canada Inc.  
Canada - salescan@lesker.com  
416.588.2610  
800.465.2476

Kurt J. Lesker Company Ltd.  
EMEIA - EMEIASales@lesker.com  
+44 (0) 1424 458100

Kurt Lesker (Shanghai) Trading Company  
科特·莱思科(上海)商贸有限公司  
Asia - salesasia@lesker.com  
+86 21 50115900