

Vacuum Solutions

Application Support

Service



LEYBOLD VACUUM

GA 05.218/5.02



**TURBOTRONIK
NT 340 M
NT 340 MA
NT 341 MA**

Electronic frequency
converters

Cat.No.
857 29/30/31
857 32
857 34

150
Years

Operating Instructions

Contents

	Page
1 Description	2
1.1 Design and Function	2
1.2 Standard Specification	3
1.3 Technical Data	5
1.4 Ordering Data	6
2 Connection	7
2.1 Setting the Mains Voltage	7
2.2 Connecting the Turbomolecular Pump	7
2.3 Connecting the Forevacuum Pump	7
2.4 TURBOTRONIK NT 340 M & MA without temperature control (TCU): Connecting the Cooling, Venting Device and the Flange Heater	8
2.5 TURBOTRONIK NT 340 MA with temperature control (TCU): Connecting the Temperature Control and the Forevacuum Valve	10
2.6 TURBOTRONIK NT 341 MA: Connecting the Temperature Control and the Forevacuum Valve	12
2.7 Connecting the Interface	14
2.8 Connecting the Remote Control	14
2.9 Modifying the Relay "Failure" (Option)	16
2.10 Installing the TURBOTRONIK	16
3 Operation	18
3.1 Start-up	18
3.2 Start-up of the Turbomolecular Pump	18
3.3 Bakeout of the Turbomolecular Pump	19
3.4 Operation	19
3.5 Shut-down of the Turbomolecular Pump	19
3.6 Venting of the Turbomolecular Pump	19
3.7 Power Failure - Linecord Interruption	19
3.8 Shut-down of the TURBOTRONIK	20
3.9 Maintenance	20
4 Troubleshooting	21
EC Conformance Declaration	22

1 Description

1.1 Design and Function

The TURBOTRONIK NT 340 M, NT 340 MA, and NT 341 MA are electronic frequency converters. They operate turbomolecular pumps TURBOVAC and MAG.

The TURBOTRONIK NT 340 MA and NT 341 MA are prepared for operation with an additional temperature control unit. This temperature control unit is part of a temperature control which maintains the temperature of the turbomolecular pump within a narrow control range.

The TURBOTRONIK converts the single-phase mains voltage into a regulated DC power supply. The unit's electronic circuitry then switches this DC power supply onto the four stator windings of the turbomolecular pump's commutatorless DC motor in a cyclical sequence.

This electronic switching system uses Hall probes, and replaces the commutator normally found in DC motors. A digital controller keeps the speed of the motor constant.

The TURBOTRONIK also powers and regulates the magnetic bearing unit. Switching the motor to the generator mode keeps the magnetic bearing unit in operation even in case of a mains power failure.

Both the TURBOTRONIK and the turbomolecular pump are fitted with sensors to ensure reliable operation of the entire system. External control and monitoring equipment e.g. the LEYBOTRONIK I can be connected via floating plug-and-socket terminals located at the rear of the TURBOTRONIK. Both the remote control unit and the lines for the pump system's status signals are connected here. These terminals also provide connections for controlling the forepump, the heater and valves.

An RS-232 interface provides a further control and monitoring option.

The unit also has a counter-current braking system for slowing down the pump when it is shut down.

Warning

Indicates procedures that must be strictly observed to prevent hazards to persons.

Caution

Indicates procedures that must be strictly observed to prevent damage to, or destruction of the appliance.

Figures

The references to diagrams, e. g. (2/10), consist of the Fig. No. and the Item No. in that order.

We reserve the right to alter the design or any data given in these Operating Instructions.

The illustrations are not binding.

1.2 Standard Specifications

TURBOTRONIK NT 340 M

Mains voltage

setting	Cat. No.	for TURBOVAC / MAG
230 V	857 29	340 M, MC, 400 MC
120 V	857 30	

Standard Specification

Power linecord, Miniature fuses: 2 T 6.3 A; 2 T 4.0 A;
2 T* 3.15 A; 2 T1.0 A; 2 T 0.5 A; 2 T 0.315 A
3 mains plugs, 2 terminal strips,
1 portable socket-outlet

Mains voltage

setting	Cat. No.	for TURBOVAC / MAG
100 V	857 31	340 M, MC, 400 MC

Standard Specification

Power linecord, Miniature fuses: 2 T 4.0 A;
2 T 3.15 A; 2 T1.0 A; 2 T 0.5 A; 2 T 0.315 A
3 mains plugs, 2 terminal strips,
1 portable socket-outlet

TURBOTRONIK NT 340 MA

Mains voltage

setting	Cat. No.	for TURBOVAC / MAG
120 V	857 32	340 M, 340 MC 340 MCT 400 MC, 400 MCT

Standard Specification

Power linecord, Miniature fuses: 2 T 6.3 A; 2 T 0.5 A;

TURBOTRONIK NT 341 MA

Mains voltage

setting	Cat. No.	for TURBOVAC / MAG
208 V	857 34	341 MCT, 410 MCT

Standard Specification

Power linecord (mounted),
Miniature fuses 4 T 5.0 A, 2 T 0.5 A

Connection lines to the turbomolecular pump **do not** belong to the standard specifications.

*T= slow-blow

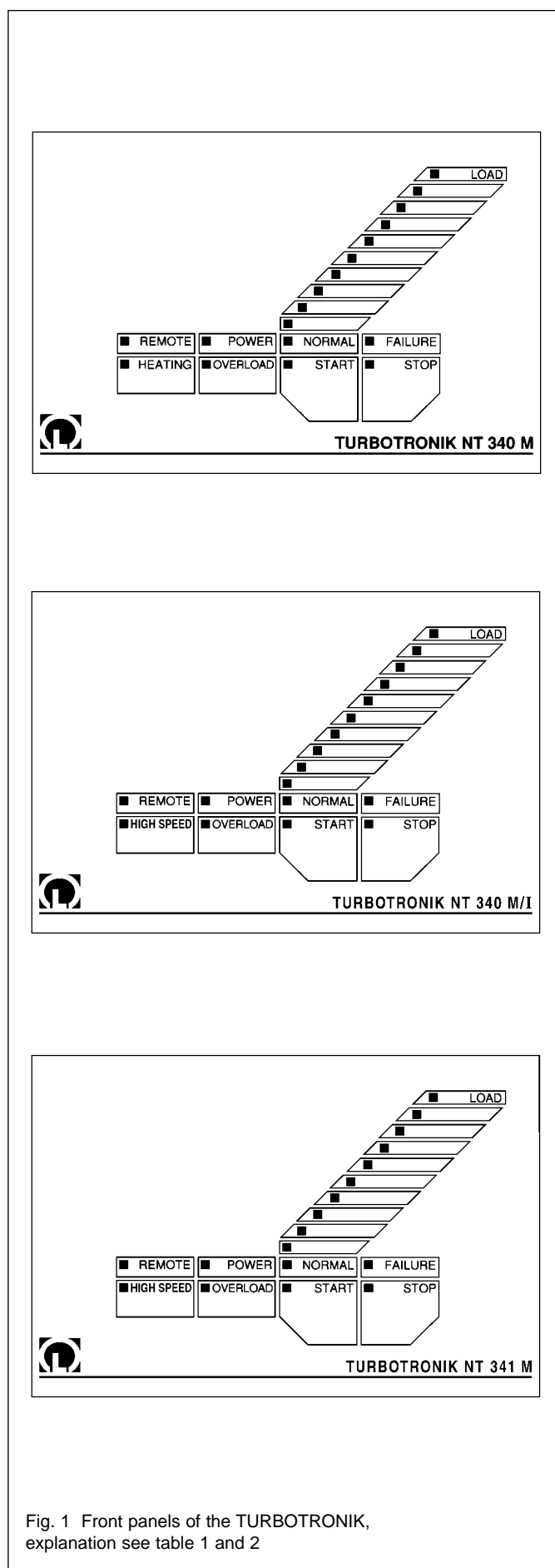


Table 1: Operational Status Display of the Front Panel LEDs

LED	Color	Display
LOAD (LED chain)	green	LED "START" lights up: speed of the turbomolecular pump (individual LED, linear display) LED "STOP" lights up: speed of the turbomolecular pump (individual LED, linear display) LED "OVERLOAD" lights up: speed of the turbomolecular pump (individual LED, linear display) LED "NORMAL" lights up: motor current (LED chain, logarithmic display) LED "FAILURE" lights up: failure code (one LED "LOAD" flashes)
REMOTE	yellow	Lights up when the converter is controlled via the remote control inputs or via the interface; key manipulation is ignored. Flashes when control is possible both via keyboard and the RS 232 interface.
POWER	green	Lights when mains power supply is on.
NORMAL	green	Lights during normal operation, speed is above 95 % of the target speed Flashes in case of acceleration, braking and "OVERLOAD".
FAILURE	red	Lights in case of failure. Flickers in case of current peaks within the magnetic bearings.
HEATING only on NT 340 M	green	Lights when heating is on. Flashes when heating has been preselected.
HIGH SPEED only on NT 340 MA and NT 341 MA	green	Lights when the turbomolecular pump runs with high speed (51,600 min ⁻¹).
OVERLOAD	yellow	Lights in case of overload, i. e. speed is below 95 % of the target speed having finished the acceleration sequence.
START	green	Lights in case of turbomolecular pump's acceleration. Flashes when the delay start-up time is active.
STOP	green	Lights when the turbomolecular pump brakes.

Table 2: Functions of the Front Panel Keys

Key	Functions
HEATING only on NT 340 M	Switching the turbomolecular pump's heating on and off.
HIGH SPEED only on NT 340 MA and NT 341 MA	Selecting high or optimized speed for turbomolecular pump. see Section 3.1.
START	Starting the turbomolecular pump's acceleration.
STOP	Braking the turbomolecular pump. Resetting a failure report.

1.3 Technical Data

Mains voltage, with selector switch	100/120/220/240 V,+10%/-15%
Mains frequency	50/60 Hz
Power consumption including all connected units	< 1000 VA
Power consumption of the turbomolecular pump	< 400 VA
Rated speed of the turbomolecular pump	43,860 / 51,600 min ⁻¹
Minimum speed of the turbomolecular pump	6,000 min ⁻¹
Power output (motor)	
Nominal voltage	50 V
Current limitation	7 A
Power output for the magnetic bearing	
Nominal voltage	± 16 V
Current limitation	± 7 A

Control Inputs - digital, floating

each terminal	25 V _{eff} AC max., 60 V DC versus protective conductor LEYBOTRONIK I compatible
High level; between "+" and "-" terminal	13 V...33 V/max. 10 mA
Low level; between "+" and "-" terminal	0 V...7 V
Pulse duration for remote control active "START" pump, "STOP" pump, heater On/Off	>200 ms
Target speed analog input, not isolated	
Setting range	0...10 V
Rated Speed	0 V
Minimum Speed	10 V

Control Outputs

Relay for normal operation	25 V _{eff} AC, 60 V DC, 2 A/60 W/125 VA operating contact
for acceleration	operating contact
for failure	resting contact, switchable to operating contact
Analog voltage	0...10 V
selectionable speed or motor current proportional	
Loadable	max. 5 mA
Standstill, no current	corresponds to 0 V
Rated speed, max. current	corresponds to 10 V
Reference voltage (not isolated for speed potentiometer and remote control inputs)	15 V, max. 20 mA
Forevacuum pump "FOREPUMP"; Relay point	6 A, 750 VA, 250 V

Supply Outlets NT 340 M & MA

Voltage value corresponds to mains voltage	
VALVE	max. 20 VA
HEATER	max. 300 VA
FAN	max. 100 VA
For 100 V and 120 V connection: sum of the supply outlets (VALVE, HEATER, FAN)	max. 400 VA

Interface

Connector	RS 232/V.24 25-pin, D-shell, female
Baud rate	4,800 or 9,600

Operating temperature; with sufficient free convection	0-45°C (32°F - 113°F)
Storage temperature	-25°C...+70°C (-77°F - +158°F)

Interference elimination

ISM appliance group 1, Limit value class A according to EN 50081-2 / EN 55011

Interference resistance

Electrostatic discharge (ESD) IEC 801-2, VDE 0843, Part 2	Severity 4
Burst IEC 801-4, VDE 0843, Part 4	Level III
high-energy impulse IEC 801-5, VDE 0843, Part 5	Level III

Weight	approx. 7 kg
--------	--------------

Temperature control unit: supply outlets

Voltage corresponds to mains voltage	
Heating collar "HEATER"	max. 120 W
Cooling water magnetic valve "COOLER"	max. 30 W
Forevacuum valve "VALVE"	max. 120 W

Temperature control unit: fuses

F1 and F2	T 1.6 A
F3	T 0.315 A

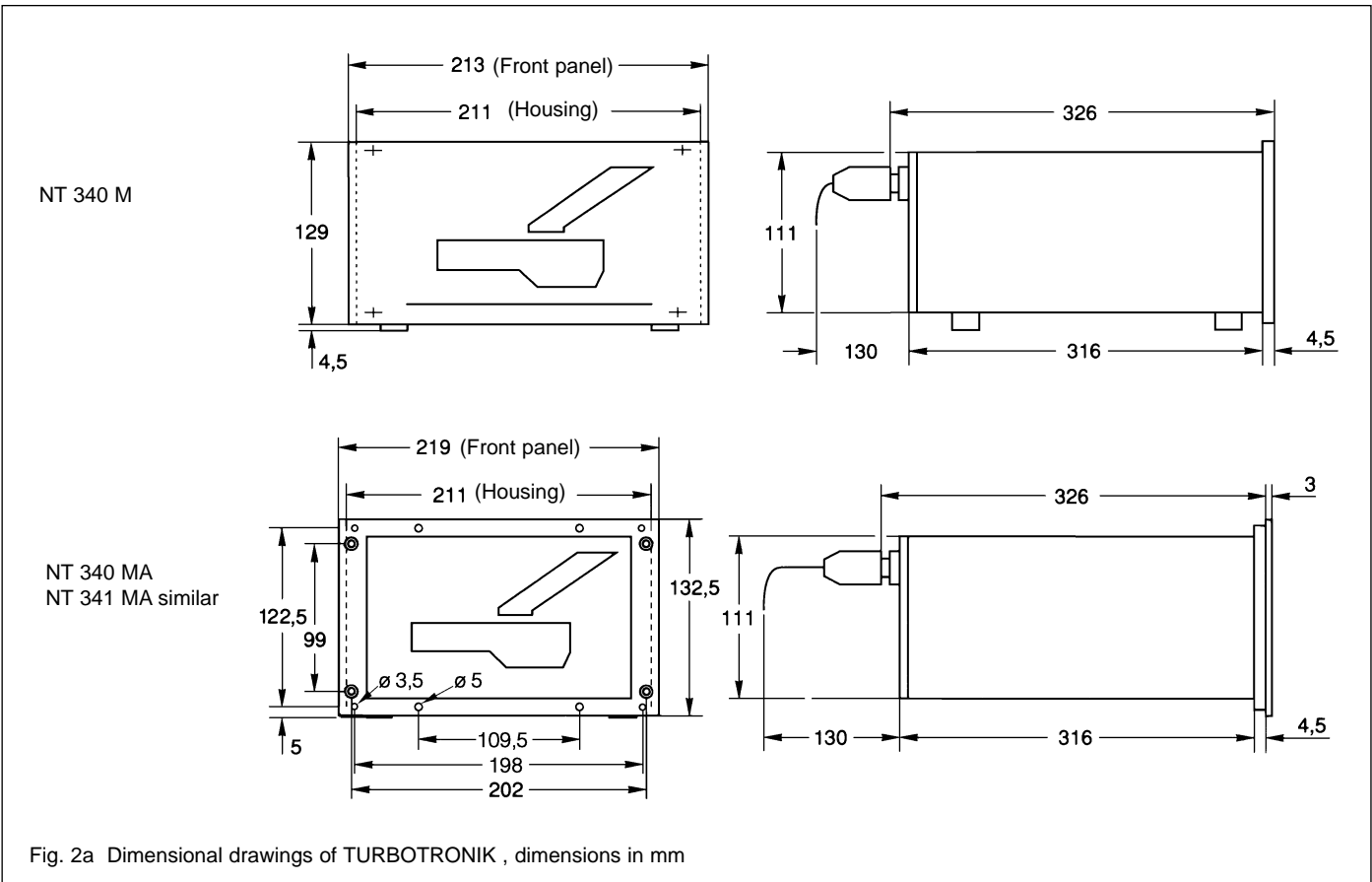


Fig. 2a Dimensional drawings of TURBOTRONIK , dimensions in mm

1.4 Ordering Data

	Ref. No.
Pump system control LEYBOTRONIK I	013 10
Power unit for LEYBOTRONIK I	upon request
Delaying venting device	012 44
Venting valve for delaying venting device	012 45

TURBOTRONIK NT 340 M

Connection line set for connecting the turbomolecular pump	
3 m long	857 70
5 m long	857 71
10 m long	857 72

TURBOTRONIK NT 340 MA

Connection line to the turbomolecular pump motor, 3 m long	859 10
Connection line to the turbomolecular pump bearing, 3 m long	859 11

Accessories for temperature control

Temperature control unit (TCU)	859 20
Temperature sensor Pt 100	859 22
Connection lines	
to the heater	859 31
to the cooling water magnet valve (COOLER)	859 32
to the valve	859 33
to the temperature control unit (I/O)	859 34
to the Pt 100	859 39

TURBOTRONIK NT 341 MA

Connection line to the turbomolecular pump motor, 20 m long	859 12
Connection line to the turbomolecular pump bearing, 20 m long	859 13

Accessories for temperature control

Temperature control unit (TCU)	859 21
Temperature sensor Pt 100	859 22
Connection lines	
to the valve	859 33
to the temperature control unit (I/O)	859 34
mains connection line to the temperature control unit	859 35
to the Pt 100	859 36
to the cooling water magnet valve (COOLER)	859 37

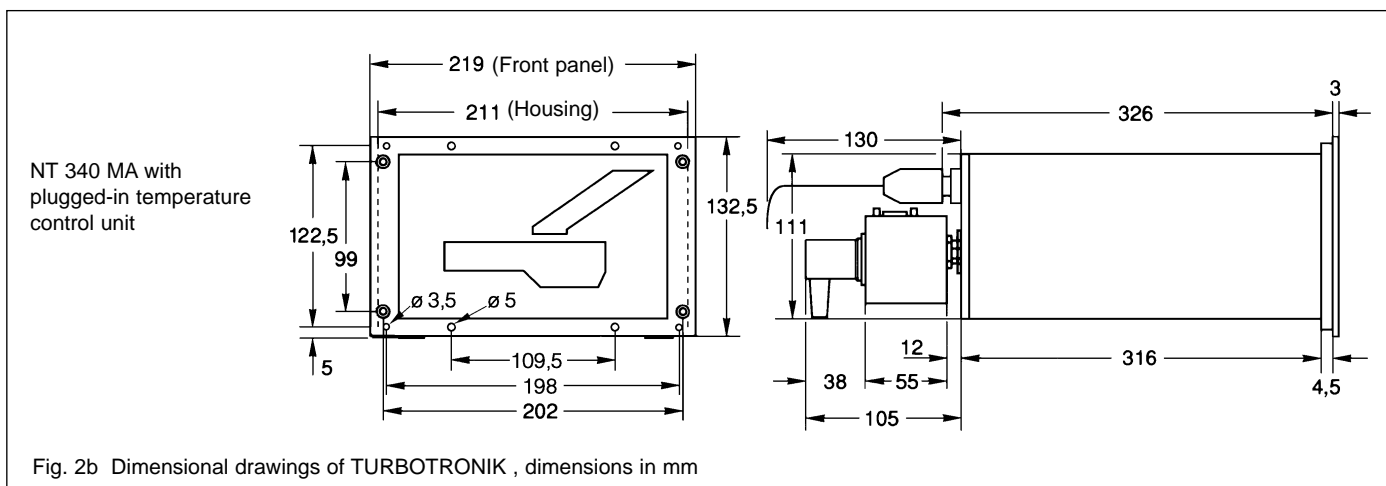


Fig. 2b Dimensional drawings of TURBOTRONIK , dimensions in mm

2 Connection

Warning



Connections for forevacuum pump, cooling, venting valve and flange heater must be done by a qualified electrician in accordance with the applicable safety regulations.

2.1 Setting the Mains Voltage

The TURBOTRONIK has been set at the factory for a mains power supply; see Section „1.2 Standard Specification“.

To change this setting, remove the dummy plug (3/15) with a screwdriver and reinsert it according to the stamped-on voltage setting. The selected voltage indication must be in the immediate proximity of the arrow.

If you do change the voltage setting, please also change the line power fuse accordingly; see the table.

Fuses

	LINE	VALVE	HEATING	FAN
100 V	T*) 4.0 A	T 0.315 A	T 3.15 A	T 1.0 A
120 V	T 6.3 A	T 0.315 A	T 3.15 A	T 1.0 A
220/240 V	T 3.15 A	T 0.315 A	T 3.15 A	T 1.0 A

(*) slow-blow)

In case of need, other fuses may be installed for VALVE, HEATING and FAN. However, the sum of the fuses' capacity for the three connections must not exceed:

- 4.5 A for 100/120 V
- 6.0 A for 220/240 V.

Plug the power linecord into the socket (3/14), (5/15). The NT 341 MT has a fixed linecord.

2.2 Connecting the Turbomolecular Pump

Insert and fasten the connection line to the motor of the turbomolecular pump at the socket DRIVE and to the turbomolecular pump itself.

Insert and fasten the connection line to the stabilizer and axial sensor of the turbomolecular pump at the socket BEARING and to the turbomolecular pump itself; both plugs are non-interchangeable.

2.3 Connecting the Forevacuum Pump

Connect the forepump to the relay contact output FORE-PUMP. When pressing the START key the contact is closed without any delay and the forepump is switched on.

The forepump is shut down when the turbomolecular pump has come to a standstill, switching examples see fig. 11.

A starting delay for the turbomolecular pump can be set at the potentiometer DELAY; see Section 3.1

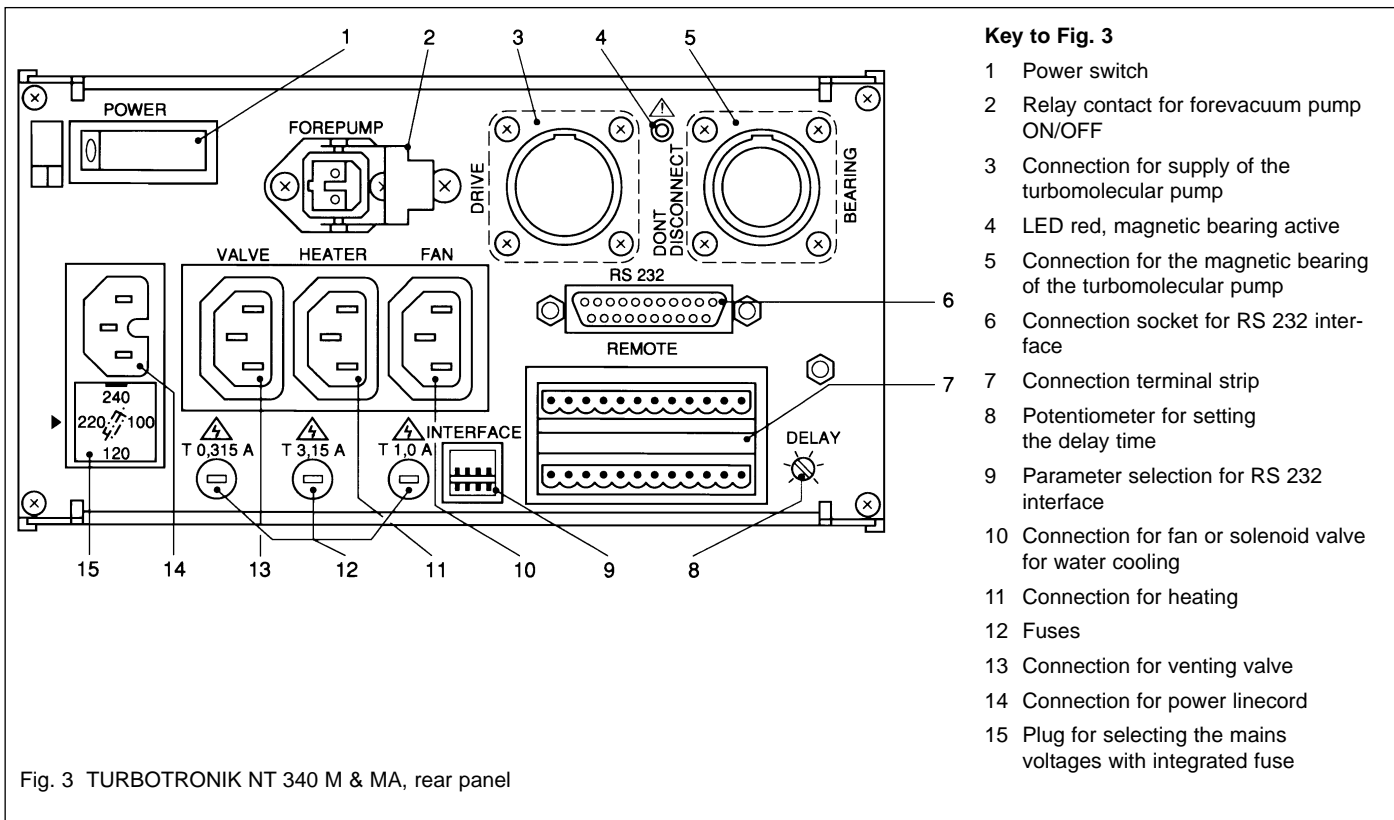


Fig. 3 TURBOTRONIK NT 340 M & MA, rear panel

2.4 NT 340 M & NT 340 MA without temperature control: Connecting the Cooling, Venting Device and the Flange Heater

Cooling

The mains power supply to the socket (3/10) is switched on as soon as the turbomolecular pump acceleration sequence begins; max. load 100 VA. The relevant fuse (3/12) is below the socket.

The power supply to the socket is switched off once the turbomolecular pump has come to a standstill and when the power switch is turned off.

A magnetic valve for the water cooling or a fan can be connected to the socket (3/10).

Venting

The mains power supply to the socket (3/13) is switched on without any delay when START is activated. The power is turned off when STOP or FAILURE are activated; max. load 20 VA. The relevant fuse (3/12) is below the socket.

Caution

Any interruption in power, no matter how short, will cause the pump to be vented.

Power Failure Airing Valve

If the turbomolecular pump is operated without purge gas a power failure airing valve can be connected to socket (3/13) VALVE.

Purge Gas- and Venting Valve

When operating the turbomolecular pump with purge gas it must be vented via the purge gas and venting valve.

Delayed Venting Device and Venting Valve

When shutting down or in case of a power failure the connection of the delayed venting device allows for setting the start and duration of the venting sequence in order to protect a system or a process-procedure.

The presetting time can vary between 3 to 15 minutes.

A short power failure does not entail an unwanted venting.

Connect the delayed venting device to (3/13).

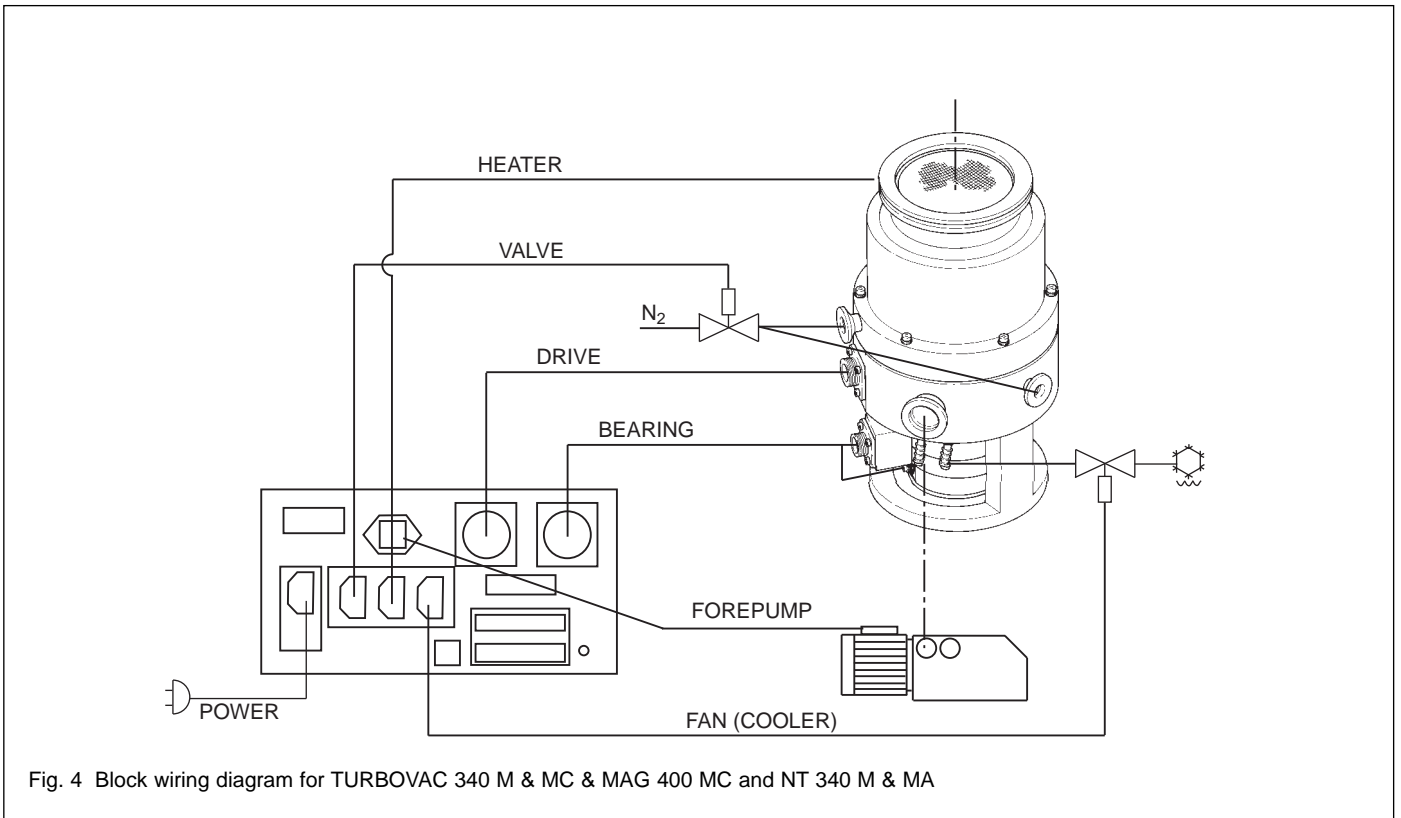


Fig. 4 Block wiring diagram for TURBOVAC 340 M & MC & MAG 400 MC and NT 340 M & MA

Flange Heater

(Only for pumps with CF connection flange)

The mains power supply to the socket (3/11) is switched on when HEATING is activated, provided that the pump operation status is NORMAL; max load 300 VA.

The relevant fuse (3/12) is below the socket.

Connect the turbomolecular pump's flange heater to the socket (3/11) "HEATER".

Key to fig. 5

- 1 Power switch
- 2 Relay contact for forevacuum pump ON/OFF
- 3 Connection for supply of the turbomolecular pump
- 4 LED red, magnetic bearing active
- 5 Connection for the magnetic bearing of the turbomolecular pump
- 6 Connection socket for RS 232 interface
- 7 Connection terminal strip
- 8 Potentiometer for setting the delay time
- 9 Parameter selection for RS 232 interface
- 10 Connection for voltage supply of the temperature controller
- 11 Connection for cooling water magnetic valve
- 12 Connection for heating collar
- 13 Connection for forevacuum valve
- 14 Connection for Pt 100
- 15 Connection of the power linecord

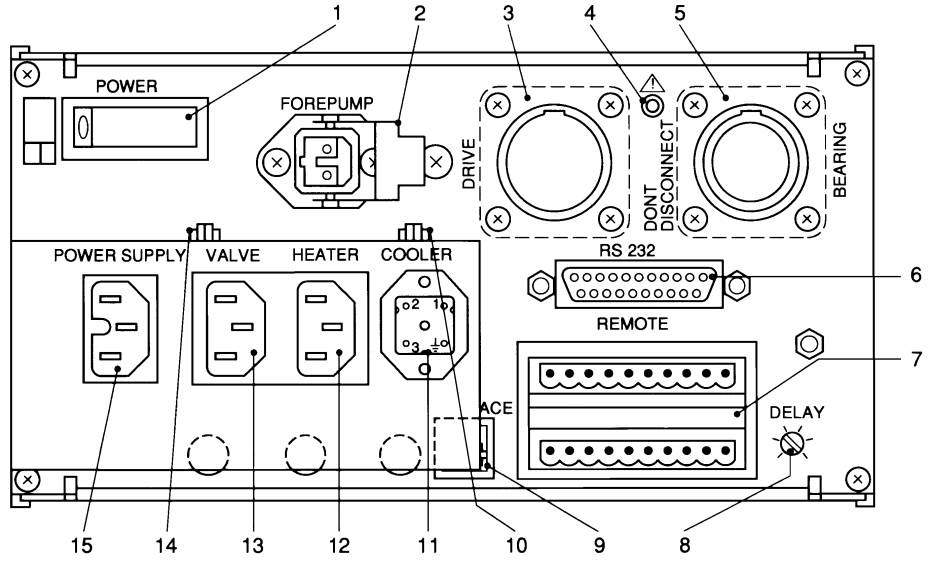


Fig. 5 TURBOTRONIK NT 340 MA with temperature control unit, rear panel

Warning



Prior to opening the temperature control unit pull it off. If the plug of the temperature control unit is connected there may be line voltage inside the unit.

Fig. 6 Location of the fuses F1, F2, F3 in the temperature control unit; bottom removed

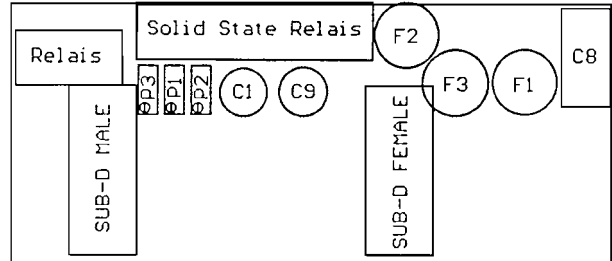


Table 3: Temperature Control Unit: Pin assignment of the Sub D Sockets

Sub D Socket VOLTAGE I/O (Plug)		Sub D Socket Pt 100 (Socket)
Pin 1	Relay contact*	Linked with pin 2
Pin 2	Voltage of the Pt 100 (0.1 V corresponds to 1 °C)	Pt 100
Pin 3	Common point for the relay*	Pt 100
Pin 4	Voltage threshold „NORMAL“	Linked with pin 3
Pin 5	Relay contact*	Linked with pin 3
Pin 6	Earthed (of NT: pin 21 of the socket REMOTE)	Linked with pin 2
Pin 7	Voltage threshold „Pump too cold“	Linked with pin 3
Pin 8	Voltage threshold „Pump too hot“	Linked with pin 3
Pin 9	+ 15 V (of NT: pin 210 of the socket REMOTE) Voltage supply for temperature controller	Linked with pin 3

* If the pump is too hot or too cold (FAILURE), the contact between pin 1 and 3 is closed and open between pin 3 and 5.

In the operation mode NORMAL of the temperature controller the contact between pin 1 and 3 is open and closed between pin 3 and 5.

Too hot: $T > 75\text{ °C}$ (167°F); too cold: $T < 55\text{ °C}$ (131°F); NORMAL: $55\text{ °C} \leq T \leq 75\text{ °C}$ (131°F $\leq T \leq$ 167°F)

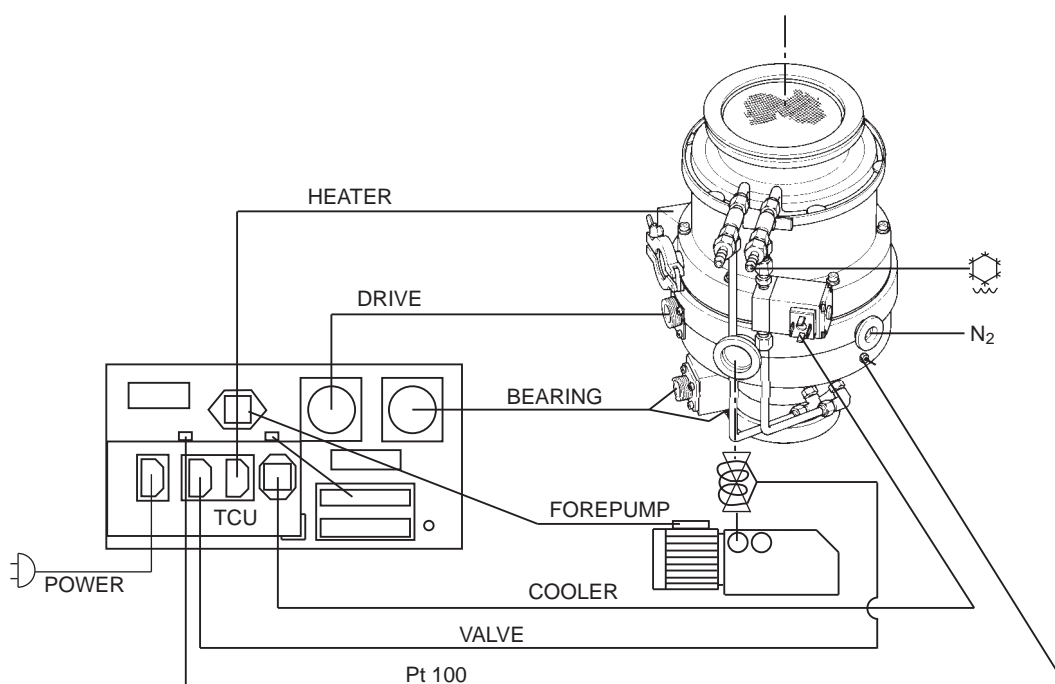


Fig. 7 Block wiring diagram for TURBOVAC 340 MCT & MAG 400 MCT and NT 340 MA with temperature control

2.5 NT 340 MA with temperature control: Connecting the Temperature Control and the Forevacuum Valve

Temperature control

The parts required for temperature control are listed in Section 1.4.

Plug in the temperature control unit, see Fig. 5.

The temperature control controls the temperature of the TURBOVAC 340 MCT & MAG 400 MCT within a narrow control range.

Connect the connection line to the heating collar at the heating collar of the turbomolecular pump and at the socket HEATER.

Plug in the connection line to the cooling water magnetic valve at the cooling water magnetic valve of the turbomolecular pump and at the socket COOLER.

Plug the connection line of the Pt 100 of the turbomolecular pump into the socket Pt 100.

Plug in the connection line temperature control unit - TURBOTRONIK at the sockets VOLTAGE I/O and REMOTE.

Forevacuum valve

The socket VALVE is supplied with current provided the mains voltage is applied, max. rate: 120 W.

A heater for a forevacuum valve can be connected to the socket.

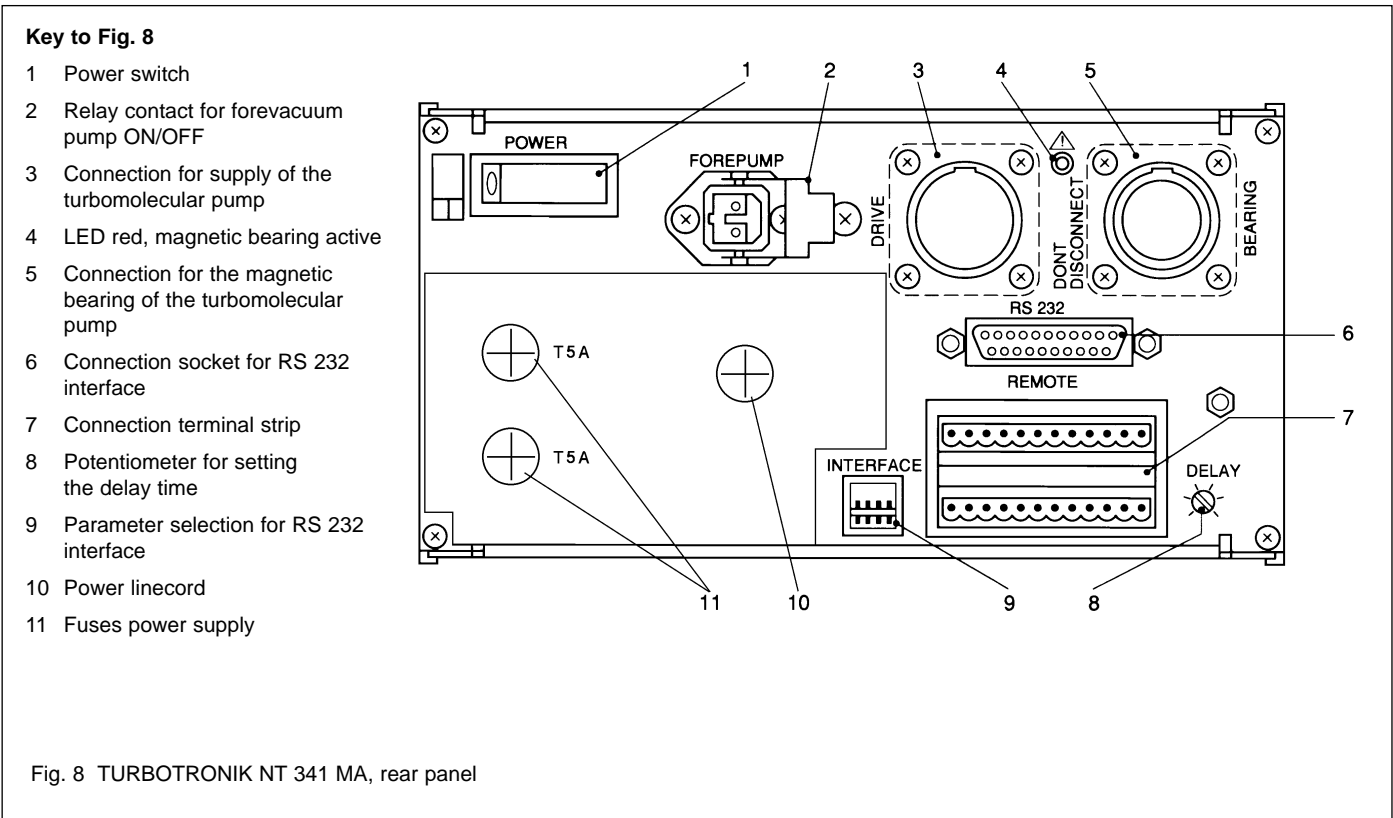


Fig. 8 TURBOTRONIK NT 341 MA, rear panel

2.6 NT 341 MA: Connecting the Temperature Control and the Forevacuum Valve

Temperature control

The parts required for temperature control are listed in Section 1.4.

Install the temperature control unit.

The temperature control controls the temperature of the TURBOVAC 341 MCT & MAG 410 MCT within a narrow control range.

The temperature control unit has to be connected to 120 V AC mains voltage.

Warning



The power supply must ensure that even in case of failure no lethal voltages may occur.

Connect the connection line of the heating collar at the socket HEATER.

Plug in the connection line to the cooling water magnetic valve at the cooling water magnetic valve of the turbomolecular pump and at the socket COOLER.

Plug the connection line of the Pt 100 of the turbomolecular pump into the socket Pt100.

Plug in the connection line temperature control unit - TURBOTRONIK at the sockets VOLTAGE I/O and REMOTE.

Forevacuum valve

The socket VALVE is supplied with current provided the mains voltage is applied, max. rate: 120 W.

A heater for a forevacuum valve can be connected to the socket.

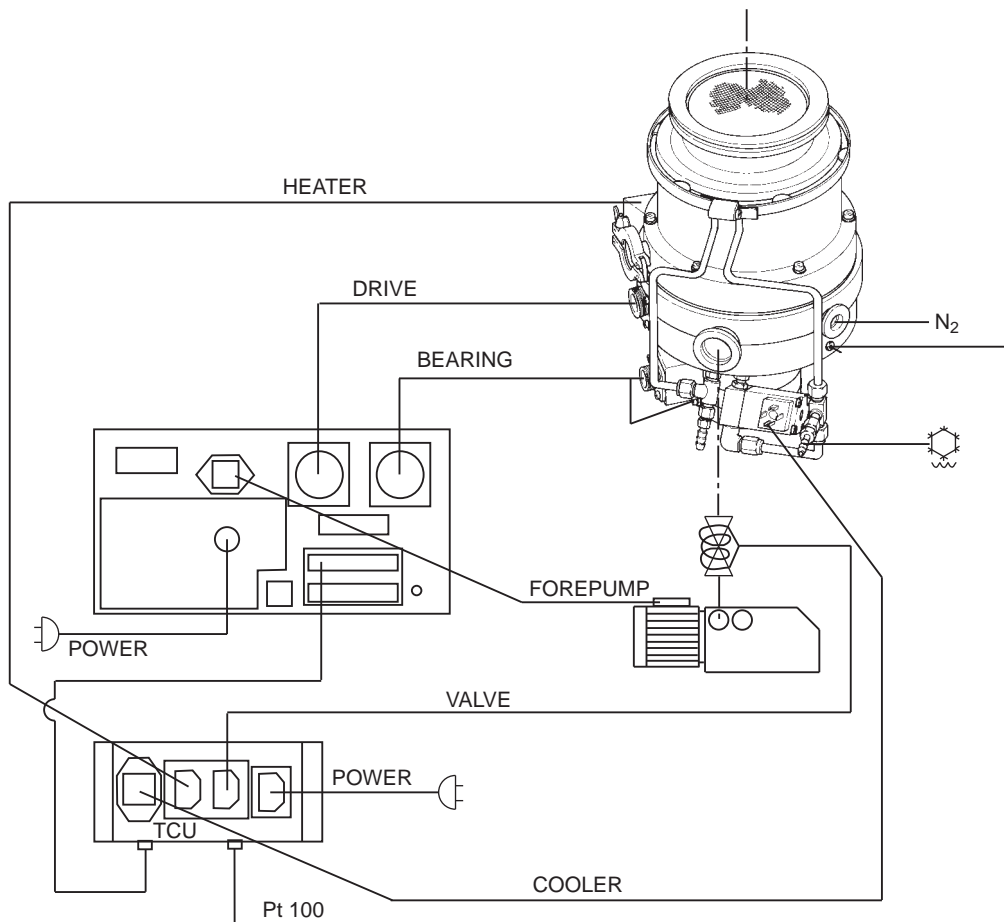


Fig. 9 Block wiring diagram for TURBOVAC 341 MCT & MAG 410 MCT and NT 341 MA with temperature control

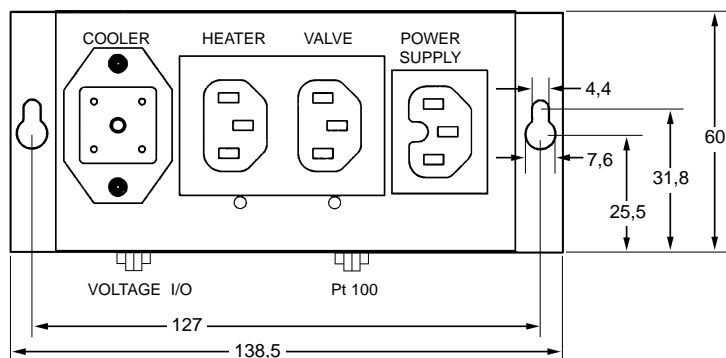


Fig. 10 Temperature Control Unit, dimensions in mm

2.7 Connecting the Interface

A description of the interface for operating the TURBOTRONIK with a computer can be ordered under the description SB 05.207.

The parameters for the interface will be set at the DIP switches.

At DIP switch 1 you can choose whether the analog output voltage at the terminal strip REMOTE will rise proportionally to the motor current or the speed.

ON analog output = motor current LOAD.

OFF analog output = SPEED.

2.8 Connecting the Remote Control Unit

For the signal assignments of the terminal strip REMOTE refer to fig. 12.

Switching examples see fig. 13.

Technical Data see section 1.3.

Relay statuses see table 4.

Note for Switching Example ON/OFF Switch

If instead of the ON-OFF switch a jumper is established between Pin 4 and 20, the turbomolecular pump will start up automatically once the TURBOTRONIK is switched on.

Caution

The maximum permissible voltage at each of the terminals is 25 V_{eff} AC, 60 V DC versus protective conductor.

Inputs - Remote control active

REMOTE	Disables the keys and activates the remote control inputs (continuous signal; High-active)
START pump	Impulse or continuous signal; High-active
STOP pump	Impulse or continuous signal; Low-active
HEATING	Heating ON/OFF steady-state signal; High = On, Low = Off
Speed (target value)	analog signal

Due to safety reasons the STOP function (Low-active) is dominant.

In order to start the TURBOTRONIK via the remote control:

the REMOTE-inputs must be activated i.e. high-level between "+" and "-" terminal,

the STOP-inputs must be inactivated i.e. high-level between "+" and "-" terminal,

the START-inputs must be activated i.e. high-level between "+" and "-" terminal.

Outputs

Acceleration,

Normal operation,

Failure,

Current-/speed actual value,

The reference voltage is +15 V for speed potentiometer and remote control inputs.

The reference voltage is protected by the fuse F7. Position of the fuse see fig. 14. For changing the fuse open the TURBOTRONIK as described in section 2.9.

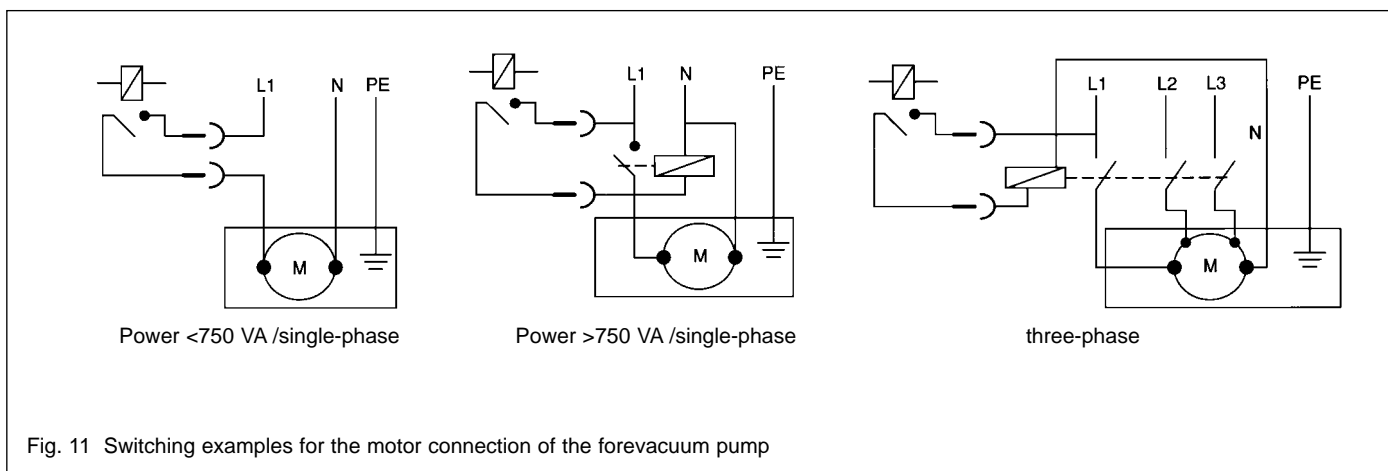


Fig. 11 Switching examples for the motor connection of the forevacuum pump

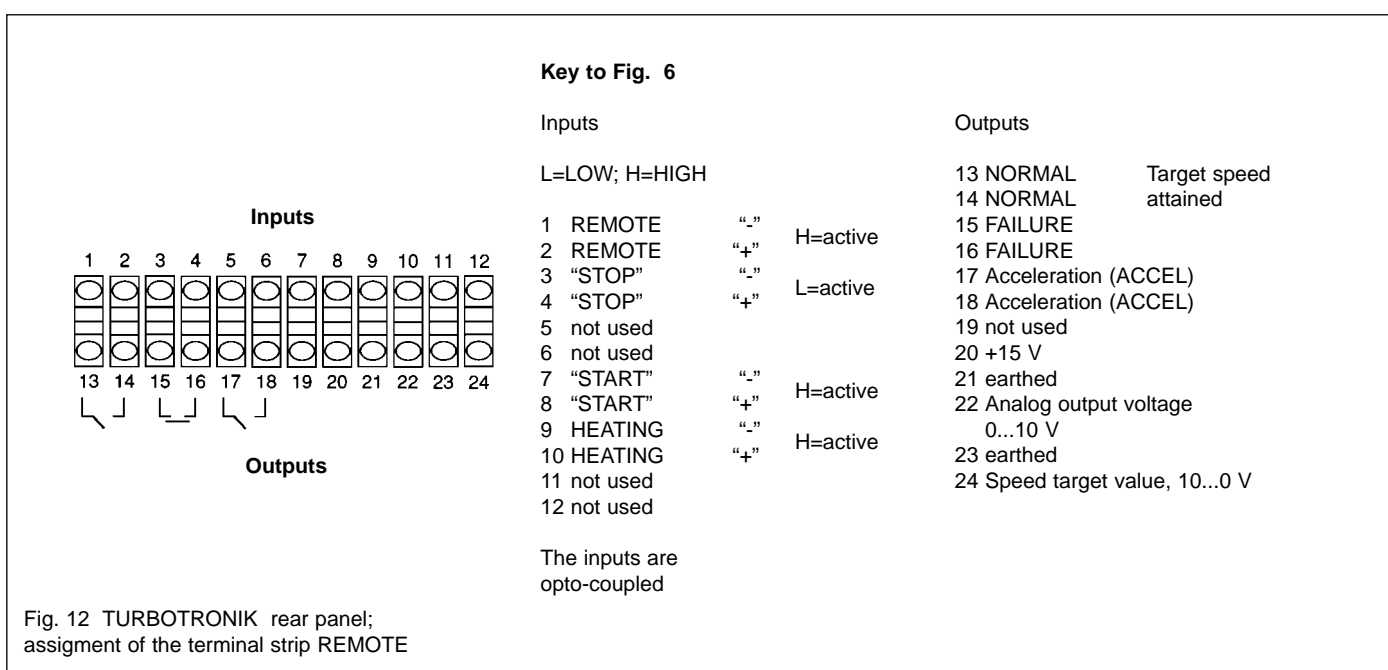


Fig. 12 TURBOTRONIK rear panel; assignment of the terminal strip REMOTE

Table 4

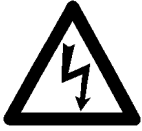
Relay status	VALVE (3/13)	HEATER (3/11)	FAN (3/10)	FOREPUMP (3/2)	ACCEL Fig. 12	FAILURE Fig. 12	NORMAL Fig. 12
Power off	open	open	open	open	open	closed**	open
Standstill	open	open	open	open	open	closed**	open
Delayed start-up device	closed	open	open	closed	closed	closed**	open
Acceleration	closed	open	closed	closed	closed	closed**	open
NORMAL	closed	closed*	closed	closed	open	closed**	closed
Overload	closed	closed*	closed	closed	open	closed**	closed
Braking	open	open	closed	closed	open	closed**	open
Failure; turbomolecular pump rotates	open	open	closed	closed	open	open**	open
Failure; turbomolecular pump stands still	open	open	open	open	open	open**	open

* if selected ** modifications possible

2.9 Modifying the Relay FAILURE (Option)

On delivery the relay FAILURE is a resting contact (normally closed). It can be changed to an operating contact (normally open).

Warning



Before you open the TURBOTRONIK please first ensure that the turbomolecular pump has been braked to a complete standstill, and that the mains power cord is disconnected. Since, nonetheless dangerous voltages may occur the unit must only be opened by a qualified electrician.

For modifying the relays, remove the fastening screw of the upper cover sheet at the rear and pull out the upper cover sheet.

Modify the jumper (14/2).

State of delivery resting contact 1-2

Modification operating contact 2-3

Close the TURBOTRONIK again.

We recommend noting all the modifications made on the unit itself or at least in the Operating Instructions for that particular instrument.

2.10 Installing the TURBOTRONIK

Install the TURBOTRONIK.

The heat dissipation of the TURBOTRONIK must not be obstructed. Insure a sufficient ventilation - the ambient temperature during operation must not exceed 45°C (113°F).

Connect the grounding screw on the rear panel of the frequency converter to the ground potential of the pump.

If - after installation - the rear of the TURBOTRONIK is no more accessible, switch on the POWER switch before mounting and if nec. set the starting delay; refer to section 3.1.

Warning



If the TURBOTRONIK is built into a rack the mains plug is not within easy reach. Therefore install a separation between the TURBOTRONIK and the mains when you build it into a rack.

Warning



Do not operate the TURBOTRONIK with the standard mains lead in chemically aggressive surroundings. If you operate the TURBOTRONIK in chemically aggressive surroundings replace the mains lead by a resistant one.

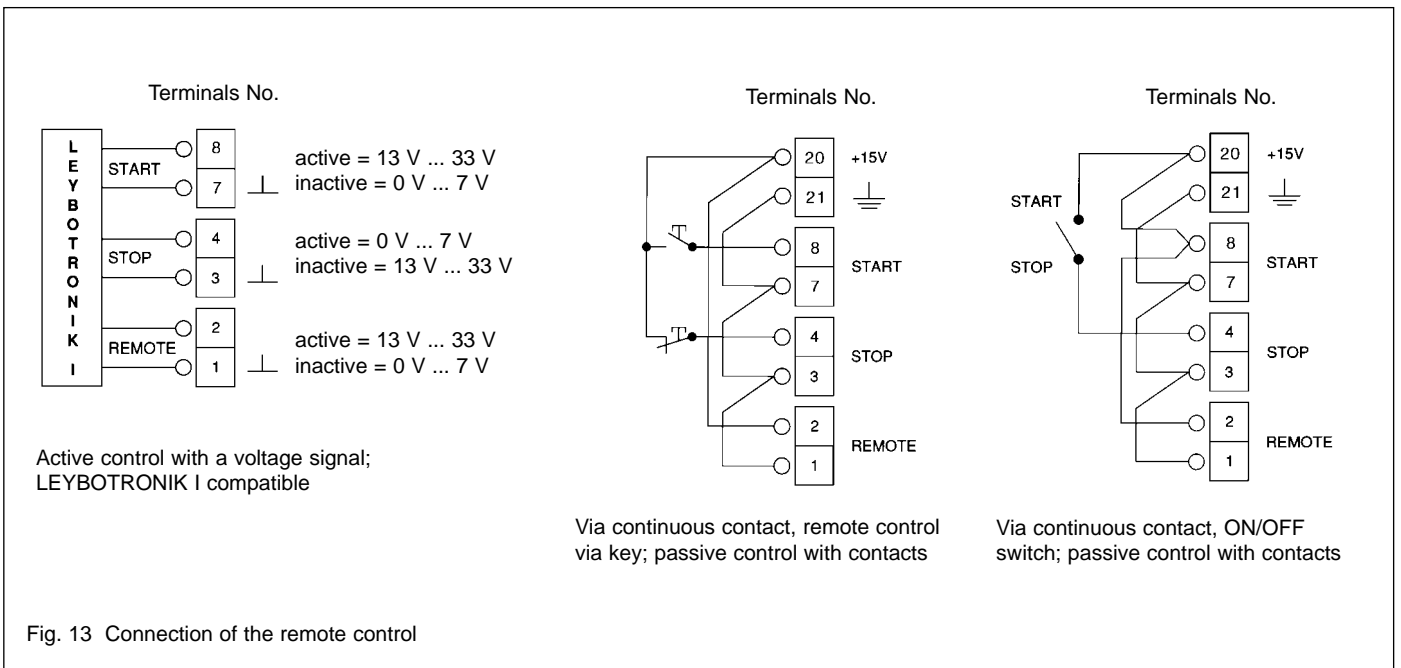


Fig. 13 Connection of the remote control

Key to Fig. 14

- 1 Relay
- 2 Jumper
- 3 Connection plug for the RS 232 interface
- 4 Fuses

F7 Fuse for 15 V at Pin 20 of the terminal strip REMOTE

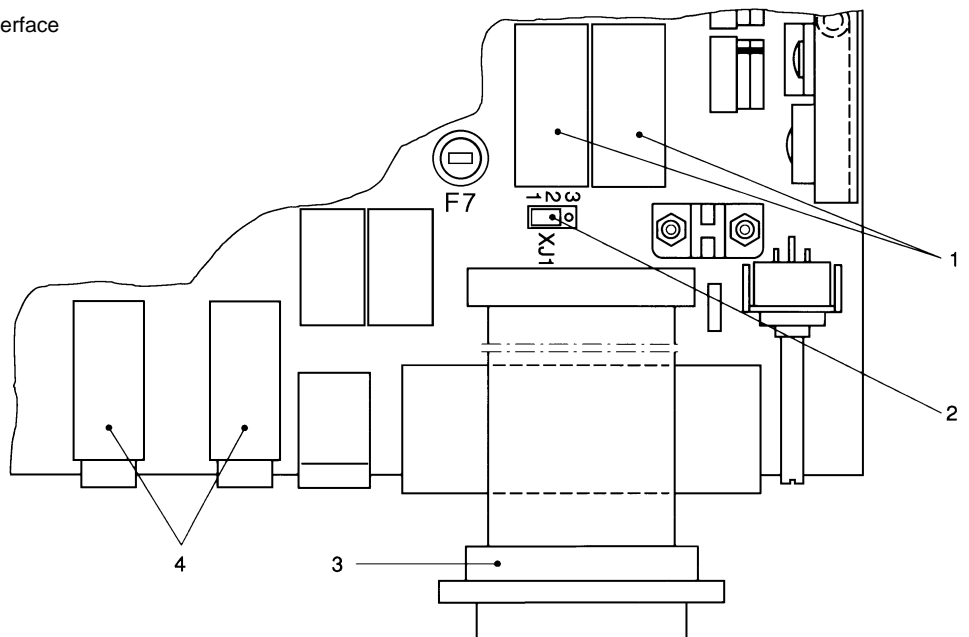


Fig. 14 Position of the jumper for the relay failure;
top view into the TURBOTRONIK

3 Operation

3.1 Start-up

Insert the power plug.

Switch on the POWER switch.

Having switched on the power switch the turbomolecular pump's stabilizer is activated and the rotor lifts up.

Afterwards all LEDs light up for approx. 2 s for a functional check. The green LED „POWER“ remains on.

On the TURBOTRONIK NT 340 MA and 341 MA with temperature control the temperature control is switched on.

Calibrating the Position Control System

It is necessary to check or – if needed – to recalibrate the electronic rotor position control system following

- an initial installation,
- an exchange of turbomolecular pump or TURBOTRONIK,
- a change of the mounting position of the turbomolecular pump,
- a longer storage,
- extreme mechanical stresses or
- bearings' malfunctionings

Caution

Calibration should only be performed when the pump stands still and has cooled down.

If the pump is under vacuum you must wait approx. 3 hours; in case of atmospheric pressure wait approx. 1 hour.

Press the STOP key and keep it pressed down during calibration.

Observe the LED chain LOAD which shows the calibration. The number of the lighting LEDs above and below the medium LED (5th) reveals the degree of maladjustment.

In case of incorrect calibration keep the eSTOP key pressed down. In addition, press the START key briefly. This procedure entails a self-calibration of the TURBOTRONIK.

Only the medium LED within the chain must light; afterwards release the STOP key.

Setting the Start-up Delay

You can set a start-up delay for the turbomolecular pump of up to five minutes at the rear of the TURBOTRONIC at DELAY.

Due to the starting delay the turbomolecular pump starts after the forevacuum pump.

Selecting high or optimized speed (only on NT 340 MA & NT 341 MA)

The turbomolecular pump is designed for operation with optimized speed.

In certain cases the standard speed which is set on delivery, can be increased (HIGH SPEED). Please contact your local Leybold service representative.

Caution

HIGH SPEED operation may result in shorter operational lifetime of the pump. Your warranty may be voided.

3.2 Start-up of the Turbomolecular Pump

Pressing the START key initiates the acceleration sequence; if a forevacuum pump is connected it will start up immediately.

If a delay has been set, the START LED will flash during the delay period, after which it will remain on continuously and the turbomolecular pump starts.

The NORMAL LED flashes during acceleration. The LED chain indicates the increasing speed with one LED each. When 95% of the target speed has been reached, the LED NORMAL remains on continuously, the START LED extinguishes.

During normal operation the LED chain indicates the motor current (load) drawn by the turbomolecular pump.

If the turbomolecular pump exceeds the minimum speed within 8 minutes but does not attain 95 % of the target speed it will change to OVERLOAD operation.

The LED OVERLOAD lights up and the LED chain indicates the speed.

3.3 Bake-out of the Turbomolecular Pump

(only for NT 340 M)

Bake-out is only possible with the CF version during NORMAL operation.

Pressing the HEATING key switches the flange heater ON and OFF. The green LED in the key lights up when the heating is ON.

With preselection the LED flashes during the acceleration phase; during NORMAL and activated heating the LED lights continuously.

3.4 Operation

During normal operation the turbomolecular pump runs with target speed. The LED NORMAL lights and the LED chain shows - starting at the bottom and moving upwards - the current consumed.

In case of increased load (e.g. increased pressure due to a leak) the speed is compensated via an additional current consumption. Thus, the number of the lighting LEDs is a measure of the pressure rise.

A further pressure rise beyond the point of the max. current limitation leads to a decreasing speed due to an increasing gas friction.

The speed will likewise drop when the temperature of the turbomolecular pump or TURBOTRONIK is too high, the LED OVERLOAD lights up.

If the target speed drops below 95% the LED chain indicates the speed. The LED NORMAL flashes.

If the speed drops below the minimum speed, the turbomolecular pump is switched off and the LED FAILURE lights up.

3.5 Shut-down of the Turbomolecular Pump

Pressing the STOP key switches off the pump and the heater and activates braking.

The forevacuum pump will be switched off provided it is connected via FOREPUMP; the turbomolecular pump will be vented if the venting valve is connected via (3/13).

The LED in the STOP key lights up, and the LED NORMAL flashes until the turbomolecular pump stands still.

The motor brakes the pump actively until it comes to a complete standstill; the speed is again indicated by the LED chain.

If a malfunction occurs the FAILURE signal can be reset via the STOP key provided the cause of malfunction has been eliminated and the rotor of the turbomolecular pump stands still.

3.6 Venting of the Turbomolecular Pump

Vent the turbomolecular pump every time the turbomolecular pump is switched off in order to prevent a potential backstreaming of oil vapors from the forevacuum line to the high-vacuum side.

If a power failure airing valve or a delayed venting device is connected to the socket (3/13) VALVE the TURBOTRONIK controls venting automatically.

3.7 Power Failure - Linecord Interruption

If there is a power failure or if the power plug is accidentally disconnected, the TURBOTRONIK automatically switches over the drive of the turbomolecular pump to generator operation. This means that during run-down of the pump, the active magnetic bearing regulation will be maintained until the rotor sets down on the touch-down bearings with the rate of rotation being low.

If the connecting lines between the turbomolecular pump and the TURBOTRONIK are interrupted, the automatic generator operation and the emergency power supply to the active magnetic bearing are put out of operation. In this case, the rotor is set down immediately onto the touch-down bearings, runs down with a considerable noise level and there is a risk that the touch-down bearings are damaged.

The connection line to the TURBOTRONIK is secured against accidental interruption. If it is, nevertheless, interrupted e. g. by mechanical destruction, brake the turbomolecular pump via venting until it stands still.

3.8 Shutdown of the TURBOTRONIK

Press the STOP key, and wait until the pump comes to a standstill.

The LEDs in the keys START, STOP and NORMAL are extinguished.

Switch the POWER switch to the "0" position. The temperature control at the TURBOTRONIK NT 340 MA and NT 341 MA with temperature control is switched off.

If the red LED DON'T DISCONNECT has gone off the connection lines to the turbomolecular pump can be disconnected in case of necessity.

Caution

Only after the pump has come to a standstill is the POWER switch to be switched to the "0" position.

In case of accidental shutdown, start up the pump at once.

3.9 Maintenance

The converter essentially requires no servicing since it contains no components which could be adjusted.

Depending on the installation particulars and the ambient conditions, the converter may collect grime (dust, moisture) on the inside. Such contamination can lead to malfunctions, overheating or short circuits and will have to be avoided to the maximum extent possible. The LEYBOLD Service Department can clean the converter. We recommend adhering to a cleaning interval of about three years.

Warning



Only qualified personnel or the Leybold Service Department may carry out work on the converter.

Potentially fatal voltages are present inside the converter.

The unit shall be disconnected from the power supply before commencing any work where the converter housing will be opened.

The converter contains components which could be damaged by electrostatic discharges.

4 Troubleshooting

When a malfunction occurs, the turbomolecular pump is braked and the failure is indicated; see following table.

The red LED FAILURE lights permanently and one green LED within the chain flashes.

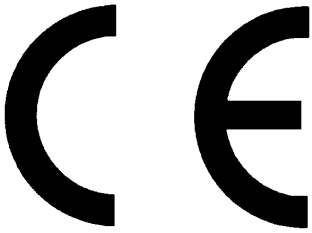
When the pump is at a complete standstill, and after you have eliminated the cause of the failure, you can reset the malfunction signal with the STOP command (key or remote control).

Warning



Before you open the TURBOTRONIK, please first ensure that the turbomolecular pump has been braked to a complete standstill, and that the mains power cord is disconnected. Since, nonetheless dangerous voltages may occur the unit must only be opened by a qualified electrician.

LED flashes	Symptom	Probable Cause	Recommended Corrective Action
No. 1 (below)	Linecord fault.	Motor connection line incorrectly connected.	Check the motor connection line and connect it correctly.
		Motor connection line malfunctioning.	Replace the motor connection line.
No. 2	Turbomolecular pump is not supported by the TURBOTRONIK.	TURBOTRONIK and turbomolecular pump incompatible. Loose contact in connection line.	Check the system. Repair the connection lines.
No. 3	Not used		
No. 4	Speed below minimum or has not been attained during acceleration within 8 minutes.	Forevacuum pressure $>10^{-2}$ mbar. Pump blocked. High-vacuum pressure too high.	Check the forevacuum. Inform the Leybold after-sales service. Check the vacuum chamber.
No. 5	Temperature in the TURBOTRONIK too high.	Frequent switching between acceleration and braking.	Let the TURBOTRONIK cool down.
		Ambient temperature too high. Forevacuum pressure $>10^{-2}$ mbar.	Ensure an adequate ventilation. Operate the pump under normal load only.
No. 6	Temperature in the turbomolecular pump too high.	Frequent switching between acceleration and braking. Poor cooling or cooling line interrupted.	Let the pump cool down and operate under normal load only. Check the cooling.
No. 7	Self test.	Mains malfunction. EPROM malfunctioning.	Switch the mains off and then again on. Inform the Leybold after-sales service.
No. 8	Bearing malfunctioning.	Venting curve not observed. Pump incorrectly adjusted. Pump or pump system vibration. Excess temperature in the TURBOTRONIK. Touch-down bearings worn. RF interference.	Check the system. Control the bearings. Set up the pump system more quietly. Operate the pump under normal load only. Inform the Leybold after-sales service. Ground the TURBOTRONIK, locate the AC power cord in a separate bundle from the RF source, change the location of the TURBOTRONIK, if needed.
No. 9	Not used.		



EC Conformance Declaration



We, the Leybold Vacuum GmbH, declare herewith that the products listed below, on the basis of their design and engineering as well as in the embodiment which we have placed on the market, comply with the applicable safety and health requirements set forth in EC guidelines.

This declaration becomes invalid if modifications are made to the product without consultation with us.

Designation of the product:

Electronic frequency converter

Models: TURBOTRONIK NT 340 M
NT 340 MA
NT 341 MA

Catalog numbers: 857 29/30/31
857 32
857 34

Cologne, July 5, 1996

Mr. Beeck, Instruments Division Manager

The products comply with the following guidelines:

- EC Low-Voltage Guidelines (73/23/EEC)
- EEC Directive on Elektromagnetic Compatibility (89/336/EWG), measured with a typical test configuration

Applicable, harmonized standards:

- EN 61010-1: 1993
- EN 50081-2: 1992
- prEN 50082-2: 1992

Applied national standards and technical specifications:

- VDE 0411 Part 1/03.94
- VDE 0839 Part 81-2/03.93
- EVDE 0839 Part 82-2/01.93

Cologne, July 5, 1996

Mr. Finke, Instruments Development



LEYBOLD VAKUUM GmbH

Bonner Strasse 498 (Bayenthal)
D-50968 Cologne

Tel.: + 49 (221) 347-0

Fax: + 49 (221) 347-1250

<http://www.leyboldvac.de>

e-mail: documentation@leyboldvac.de